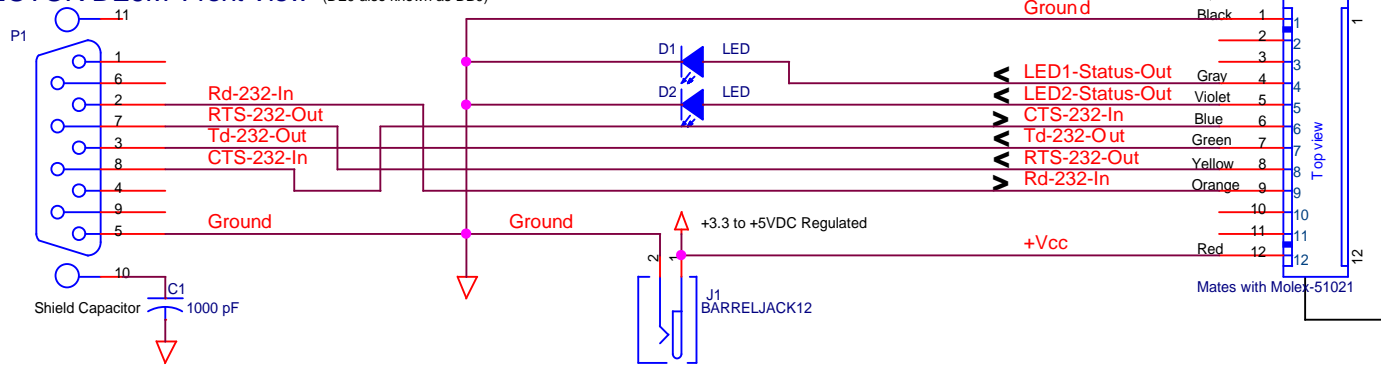


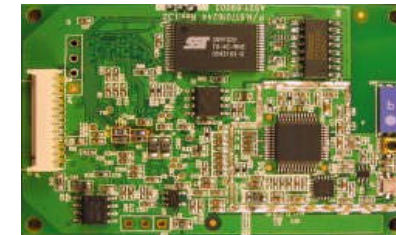
MALE DE9 wired as DTE device

CONNECTOR DE9M-Front View (DE9 also known as DB9)



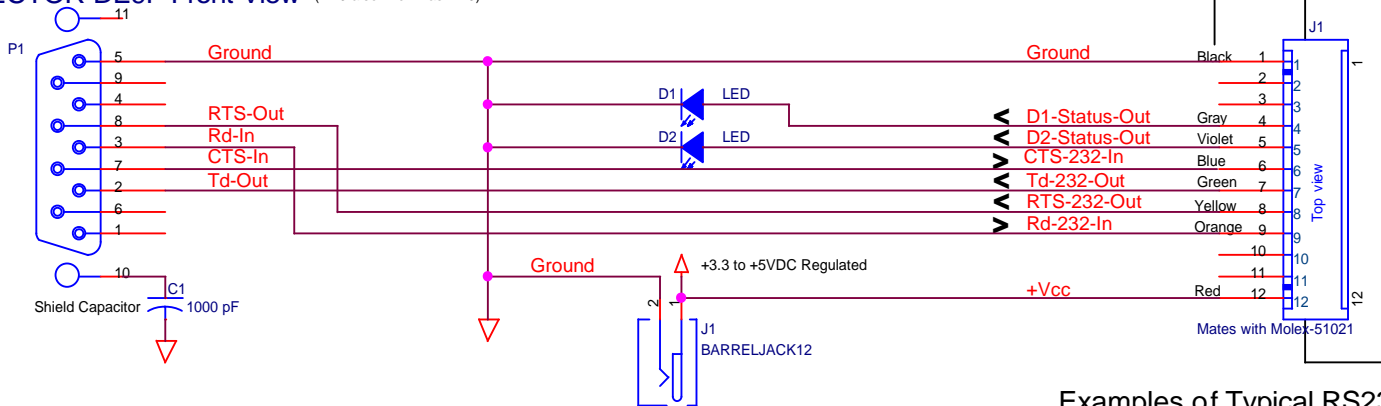
"Mini-b"
with built-in
RS-232
Interface

802.11 OEM
Embedded
Module



FEMALE DE9 wired as DCE device

CONNECTOR DE9F-Front-View (DE9 also known as DB9)



"Mini-b"
with built-in
RS-232
Interface

802.11 OEM
Embedded
Module

Examples of Typical RS232 connections to "Mini-b" OEM Module.

**Note: For Mini-b with
BUILT-IN RS232
INTERFACE ONLY!**



Title		
Cable Connection Diagram - OEM Mini-b to RS232		
Size	Document Number	Rev
A	100811-000	X1
Date:	Thursday, September 14, 2006	Sheet 1 of 1