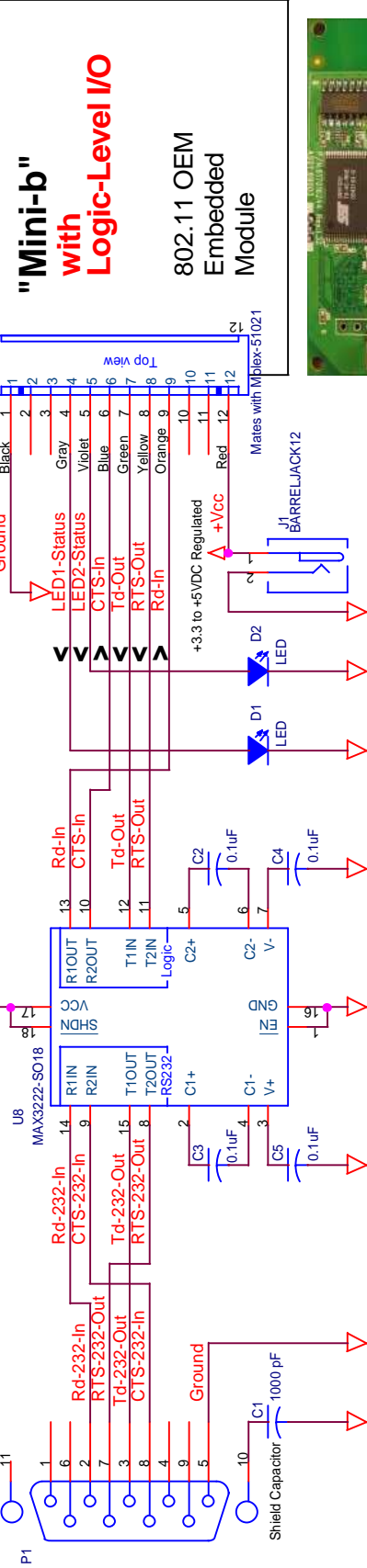


Examples of Typical connections of RS232 interface IC to "Mini-b" OEM Module.

**MALE DE9 (DB9) wired as DTE device**

CONNECTOR DE9M-Front View (DE9 also known as DB9)



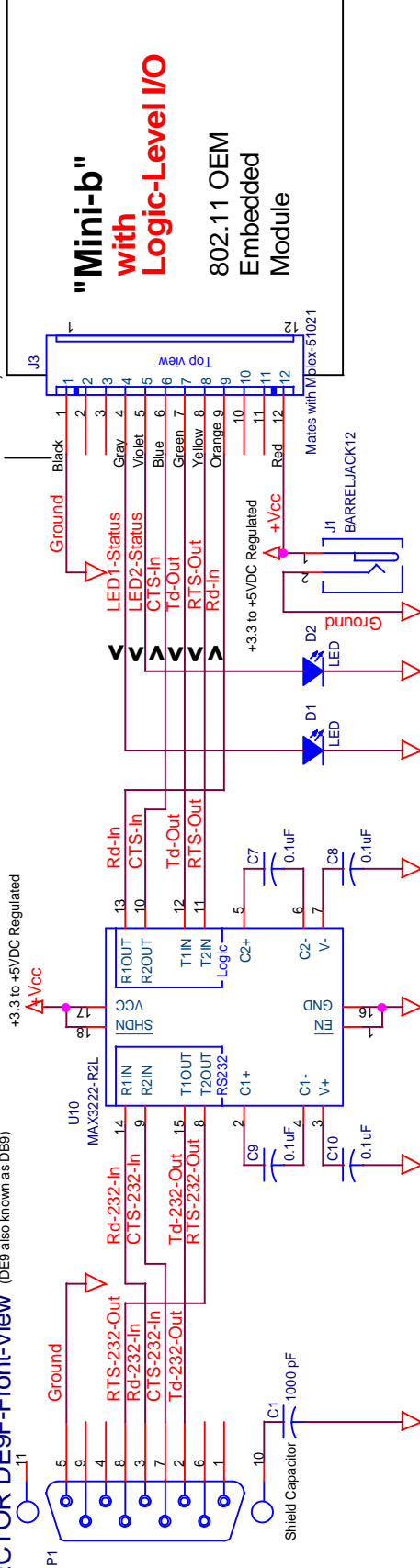
**"Mini-b"**  
with  
**Logic-Level I/O**

802.11 OEM  
Embedded  
Module



**FEMALE DE9 (DB9) wired as DCE device**

CONNECTOR DE9F-Front-View (DE9 also known as DB9)



**"Mini-b"**  
with  
**Logic-Level I/O**

802.11 OEM  
Embedded  
Module

**Note: For Mini-b with  
LOGIC-LEVEL  
INTERFACE ONLY!**

Title  
Typical connections of RS232 IC to "Mini-b" OEM Module.

Size  
Document Number  
**A 100812-000**

Rev  
X1

Date:  
Thursday, September 14, 2006  
Sheet 1 of 1



**DATA HUNTER**